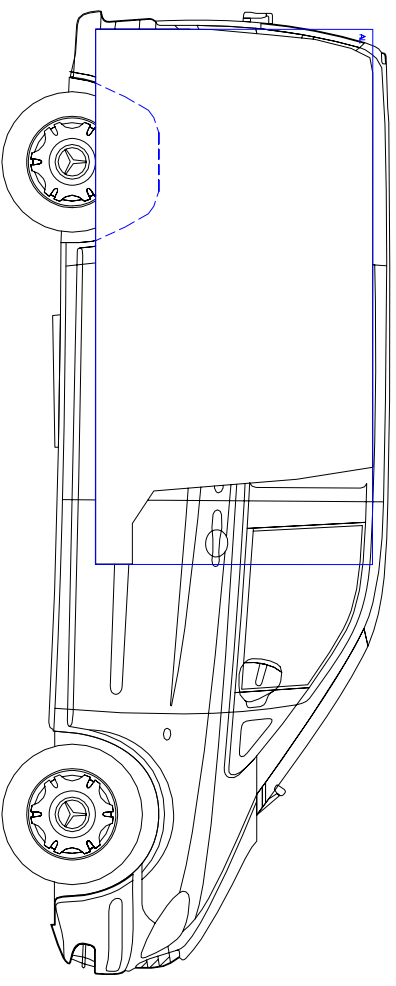
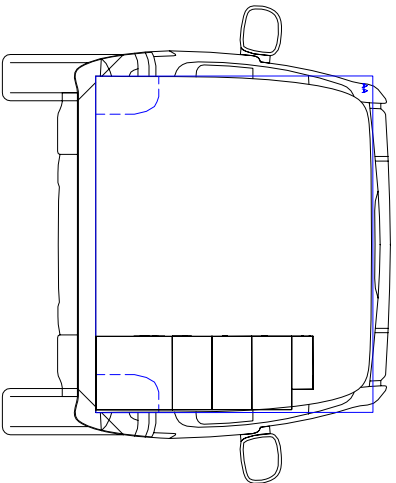
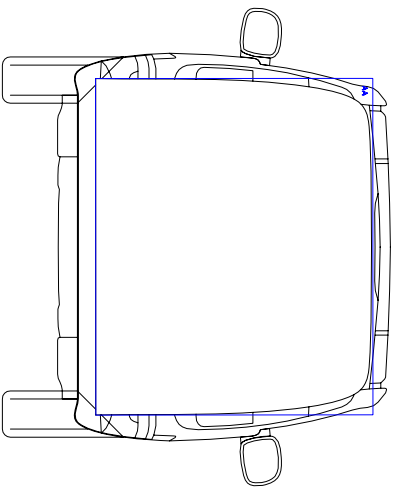
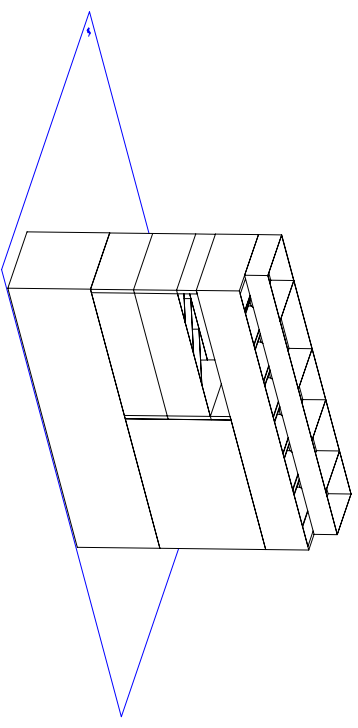
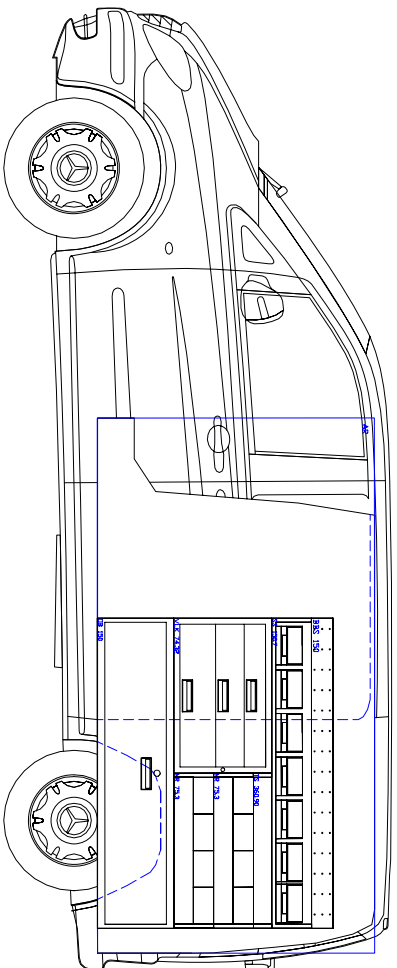
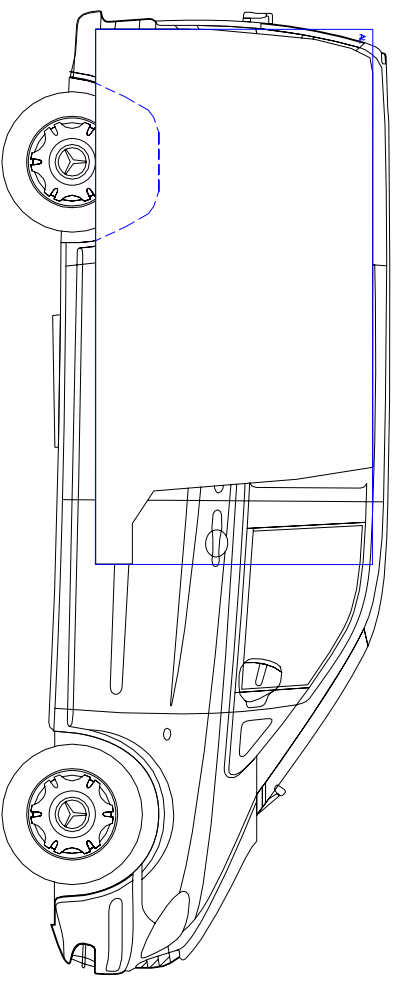
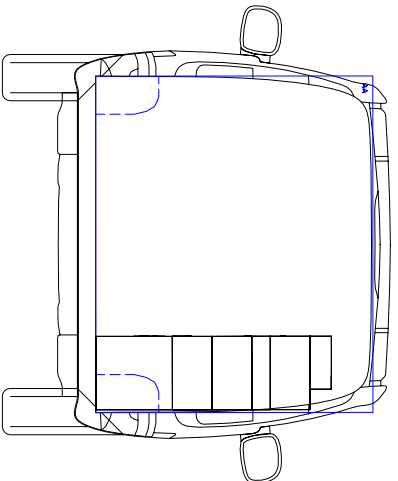
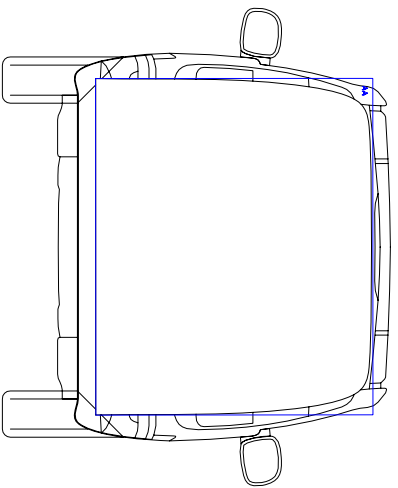


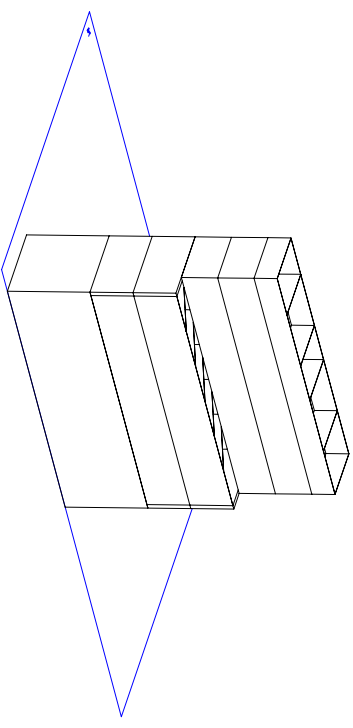
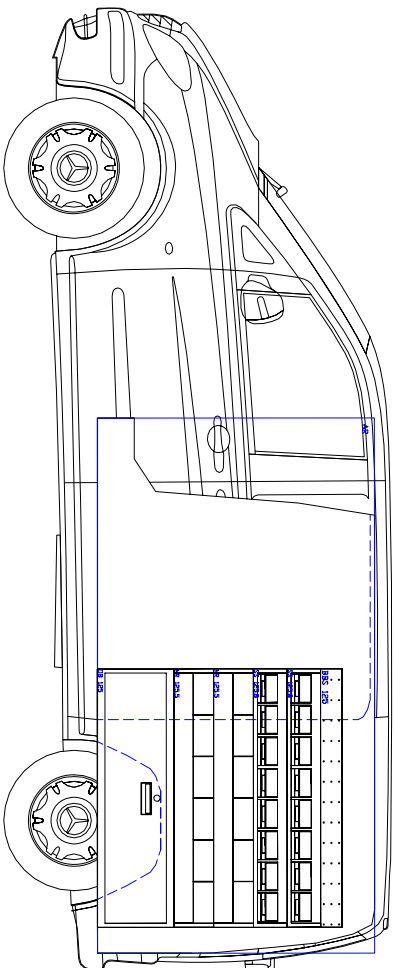
copyright 2009
Vankit (UK) Ltd





copyright 2009
Vankit (UK) Ltd





copyright 2009
Vankit (UK) Ltd

